



RHEINZINK®

RHEINZINK®-Snap-Lock Bracket System

Bracket-mounted gutter systems are often difficult and time consuming to install and align, and special tools are required. However, the RHEINZINK®-snap-lock bracket system consists of a C-profile bracket mounting rail which fastens easily onto the fascia or roof edge. Gutter brackets are snapped into place easily and securely, and spaced along the mounting rail to suit loading conditions. The half-round 5" or 6" RHEINZINK® gutter is then snapped into place with a click.

Suitable for all eave conditions.

Quick installation.

Easy alignment of gutter brackets.

Gutter brackets do not have to be fitted precisely.

The RHEINZINK® gutter snaps into place easily.

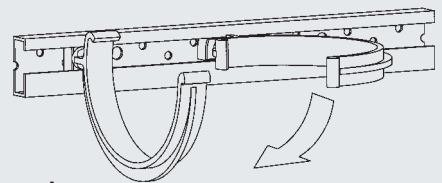
Heavy load-bearing capacity.

Flexible positioning of the snap-lock bracket.

Installation can be done independently of roofing.

For half-round RHEINZINK® gutters.

For both new construction and renovations.





Step 1: Snap-lock gutter brackets are inserted into the mounting rails in the rafter area.



Step 2: Gutter brackets are locked into place with a simple twist.



Step 3: The RHEINZINK® gutter is snapped into place securely and permanently.

In the field

As a rule, bracket-mounted gutters are supported by galvanized steel brackets. These are sized to accommodate loading conditions, including snow loads. The gutter brackets are installed onto the fascia board at ~3'-0"/90 cm intervals. Installation and flush alignment of the gutter brackets can be very tedious and time consuming, depending on accessibility or unfavorable eave conditions.

RHEINZINK®-Snap-Lock Bracket System

The RHEINZINK®-snap-lock bracket system offers the user a product which simplifies installation substantially, thereby reducing cost and saving time. The product consists of a C-profile, which functions as a moun-

ting rail, into which gutter brackets are installed. Using screws, the mounting rail is fastened directly to the roof edge fascia board or rafter tails. Conventional gutter spacing to adjoining materials is maintained. The gutter brackets can be installed at any point on the rail with a simple snap. Then, the gutter is pressed against the rear hook of the gutter bracket, and, with the bead, is snapped into the front nose of the bracket. Straightening the bracket by means of a string and subsequent bending is no longer required.

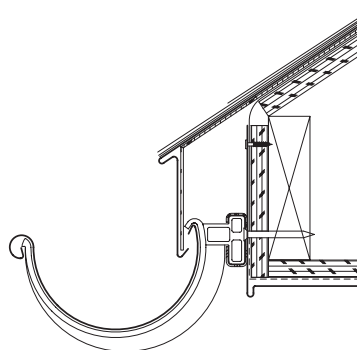
Increased efficiency

The fact that the RHEINZINK®-Snap-Lock Bracket System can be installed at any time, is useful for new building projects and for

building renovations. A supplementary rail strap is available for exposed rafter tail conditions. The many different gutter bracket cross sections (according to DIN EN 612) are reduced to just two, the half-round 5" or 6" RHEINZINK® gutter.

Economic quality

Separating the roof drainage and roofing jobs is not only advantageous from a technical point of view, but improves each aspect of the work through specialization. Productivity increases significantly when this patented system is used. The RHEINZINK®-Snap-Lock Bracket System is the perfect choice for quality and cost.



Sample: Roof edge section detail.

RHEINZINK®-Snap-Lock Bracket System

| Item | Sizes | Article Number |
|-------------------------------|--|--------------------|
| Snap-Lock Mounting Rail | 2" H x 3/4" W x 9'-10" L (50 mm H x 20 mm W x 3000 mm L) | 9936003 |
| Snap-Lock Bracket | For a half-round RHEINZINK® gutter 6" (150 mm) 5" (127 mm) | 9935000 9935001 |
| Snap-Lock Mounting Rail Strap | 1/8" H x 1-3/8" W x 8" L (3mm H x 35 mm W x 200 mm L) | 9936050 |

Additional information can be found in the installation instructions for the RHEINZINK®-Gutter System on our website at www.rheinzink.com or we would be pleased to send them to you upon request.

